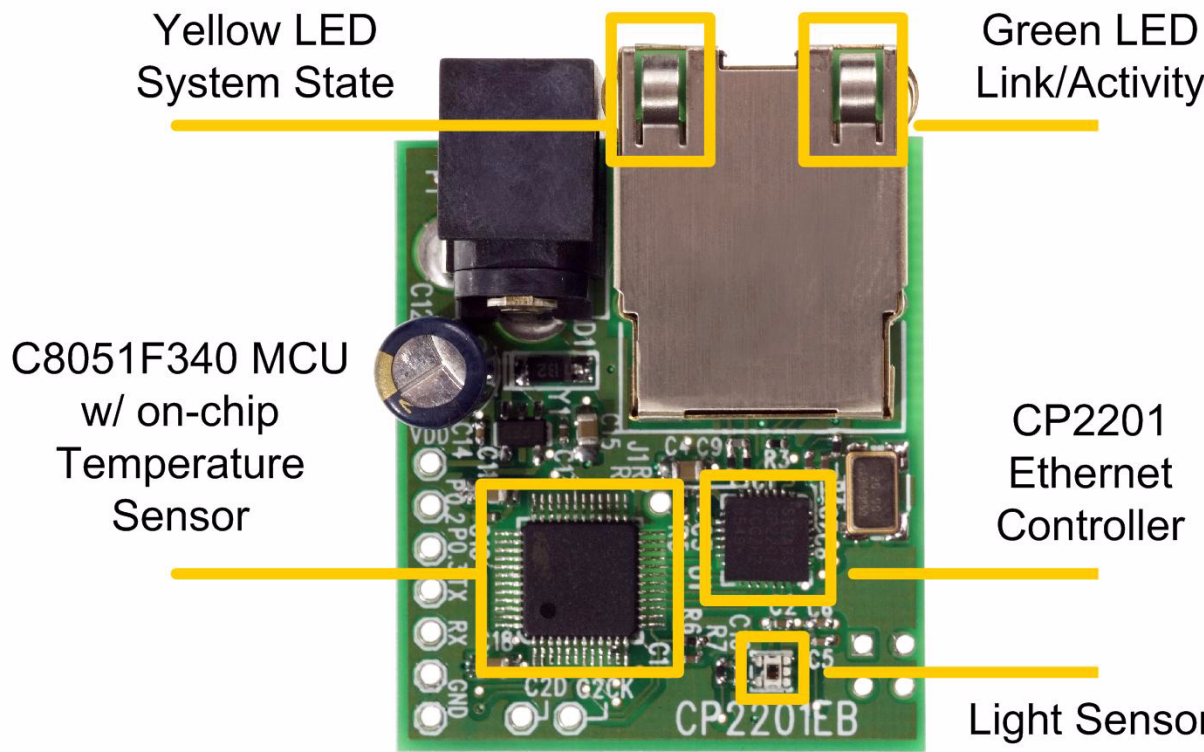


# CP2201 EVALUATION KIT QUICK-START GUIDE

1

Component Identification



Yellow LED System State

Green LED Link/Activity

C8051F340 MCU w/ on-chip Temperature Sensor

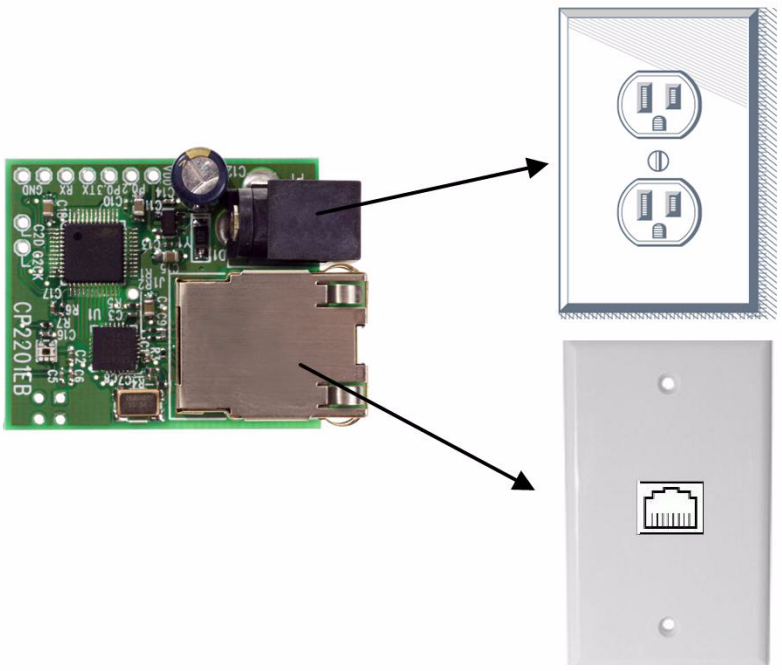
CP2201 Ethernet Controller

Light Sensor

2

Hardware Connections:

1. Connect the CP2201EB to an Ethernet port using the blue straight-through cable or directly to a PC using the yellow crossover cable.
2. Power the CP2201EB using the universal power adapter included in the evaluation kit.

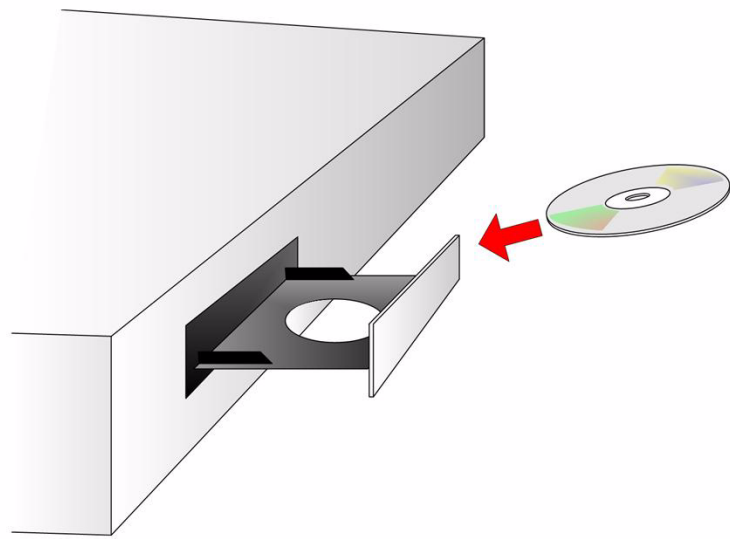


3

Software Setup:

3. Insert the Evaluation Kit CD into your CD-ROM drive.
4. When the Silicon Laboratories window appears, select Browse Documentation and choose the CP2201EK User's Guide.
5. Follow the instructions in the User's Guide to setup and complete the CP2201 Evaluation Kit Demo.

**Note:** If autorun does not launch the setup screen, run autorun.exe directly from the CD.



For the latest firmware and product updates, go to [www.silabs.com/ethernet](http://www.silabs.com/ethernet).